

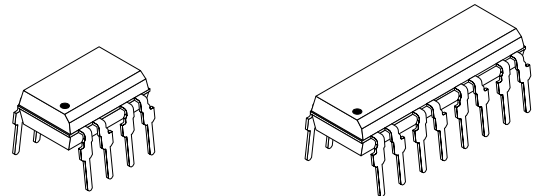


Multichannel Optocoupler with Phototransistor Output

Description

The CNY74-2H and CNY74-4H consist of a phototransistor optically coupled to a gallium arsenide infrared-emitting diode in an 8-lead, resp. 16-lead plastic dual in line package.

The elements are mounted on one leadframe using a **coplanar technique**, providing a fixed distance between input and output for highest safety requirements.



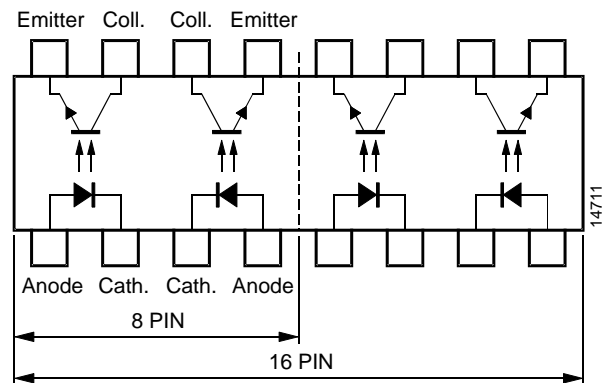
14926

Applications

Galvanically separated circuits, non-interacting switches

Features

- CNY74-2H includes 2 isolater channels
- CNY74-4H includes 4 isolater channels
- Isolation test voltage $V_{IO} = 5 \text{ kV}$
- Test class 25/100/21 DIN 40 045
- Low coupling capacitance of typical 0.3 pF
- **Current Transfer Ratio (CTR)** of typical 100%
- Low temperature coefficient of CTR
- Wide ambient temperature range
- **Underwriters Laboratory (UL) 1577** recognized, file number E-76222
- **CSA (C-UL) 1577** recognized, file number E-76222 – Double Protection
- Coupling System U



Order Instruction

Ordering Code	CTR Ranking	Remarks
CNY74-2H	50 to 600%	8 Pin = Dual channel
CNY74-4H	50 to 600%	16 Pin = Quad channel



Absolute Maximum Ratings

Input (Emitter)

Parameter	Test Conditions	Symbol	Value	Unit
Reverse voltage		V_R	6	V
Forward current		I_F	60	mA
Forward surge current	$t_p \leq 10\mu\text{s}$	I_{FSM}	1.5	A
Power dissipation	$T_{amb} \leq 25^\circ\text{C}$	P_V	100	mW
Junction temperature		T_j	125	$^\circ\text{C}$

Output (Detector)

Parameter	Test Conditions	Symbol	Value	Unit
Collector emitter voltage		V_{CEO}	70	V
Emitter collector voltage		V_{ECO}	7	V
Collector current		I_C	50	mA
Peak collector current	$t_p/T = 0.5, t_p \leq 10\text{ ms}$	I_{CM}	100	mA
Power dissipation	$T_{amb} \leq 25^\circ\text{C}$	P_V	150	mW
Junction temperature		T_j	125	$^\circ\text{C}$

Coupler

Parameter	Test Conditions	Symbol	Value	Unit
AC isolation test voltage (RMS)	$t = 1\text{ min}$	$V_{IO}^{1)}$	5	kV
Total power dissipation	$T_{amb} \leq 25^\circ\text{C}$	P_{tot}	250	mW
Ambient temperature range		T_{amb}	-40 to +100	$^\circ\text{C}$
Storage temperature range		T_{stg}	-55 to +125	$^\circ\text{C}$
Soldering temperature	2 mm from case, $t \leq 10\text{ s}$	T_{sd}	260	$^\circ\text{C}$

¹⁾ Related to standard climate 23/50 DIN 50014



Electrical Characteristics ($T_{amb} = 25^{\circ}\text{C}$)

Input (Emitter)

Parameter	Test Conditions	Symbol	Min.	Typ.	Max.	Unit
Forward voltage	$I_F = 50 \text{ mA}$	V_F		1.25	1.6	V

Output (Detector)

Parameter	Test Conditions	Symbol	Min.	Typ.	Max.	Unit
Collector emitter voltage	$I_C = 1 \text{ mA}$	V_{CEO}	70			V
Emitter collector voltage	$I_E = 100 \mu\text{A}$	V_{ECO}	7			V
Collector dark current	$V_{CE} = 20 \text{ V}, I_F = 0, E = 0$	I_{CEO}			100	nA

Coupler

Parameter	Test Conditions	Symbol	Min.	Typ.	Max.	Unit
DC isolation test voltage	$t = 2 \text{ s}$	$V_{IO}^{1)}$	5			kV
Isolation resistance	$V_{IO} = 1000 \text{ V}$, 40% relative humidity	$R_{IO}^{1)}$		10^{12}		Ω
Collector emitter saturation voltage	$I_F = 10 \text{ mA}, I_C = 1 \text{ mA}$	V_{CEsat}			0.3	V
Cut-off frequency	$V_{CE} = 5 \text{ V}, I_F = 10 \text{ mA}$, $R_L = 100 \Omega$	f_c		100		kHz
Coupling capacitance	$f = 1 \text{ MHz}$	C_k		0.3		pF

¹⁾ Related to standard climate 23/50 DIN 50014

Current Transfer Ratio (CTR)

Parameter	Test Conditions	Type	Symbol	Min.	Typ.	Max.	Unit
I_C/I_F	$V_{CE} = 5 \text{ V}, I_F = 5 \text{ mA}$		CTR	0.5	1.0	6.0	
	$V_{CE} = 5 \text{ V}, I_F = 10 \text{ mA}$		CTR	0.6	1.2		

Switching Characteristics

Parameter	Test Conditions	Symbol	Typ.	Unit
Delay time	$V_S = 5\text{ V}$, $I_C = 2\text{ mA}$, $R_L = 100\ \Omega$ (see figure 1)	t_d	3.0	μs
Rise time		t_r	3.0	μs
Fall time		t_f	4.7	μs
Storage time		t_s	0.3	μs
Turn-on time	$V_S = 5\text{ V}$, $I_F = 10\text{ mA}$, $R_L = 1\text{ k}\Omega$ (see figure 2)	t_{on}	6.0	μs
Turn-off time		t_{off}	5.0	μs
Turn-on time	$V_S = 5\text{ V}$, $I_F = 10\text{ mA}$, $R_L = 1\text{ k}\Omega$ (see figure 2)	t_{on}	9.0	μs
Turn-off time		t_{off}	18.0	μs

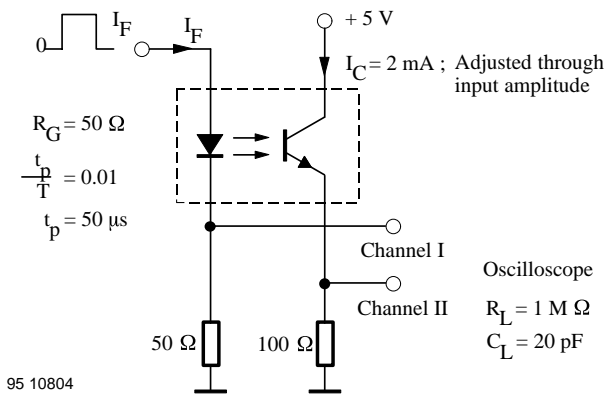


Figure 1. Test circuit, non-saturated operation

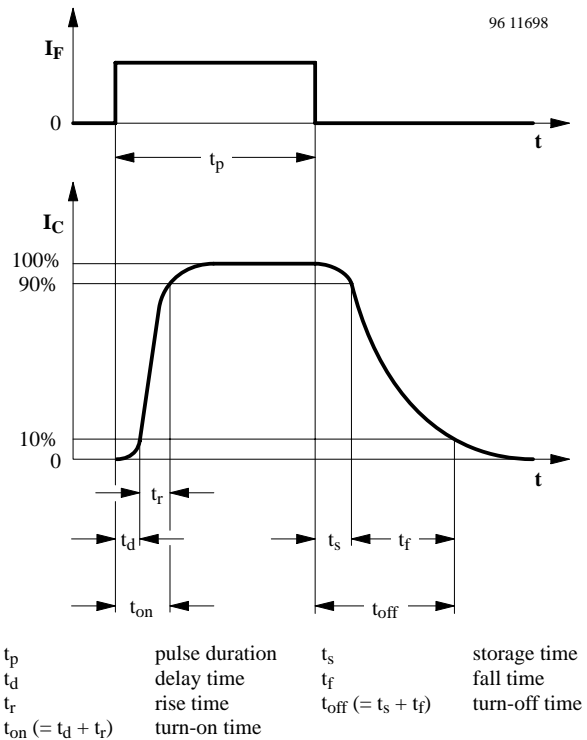


Figure 3. Switching times

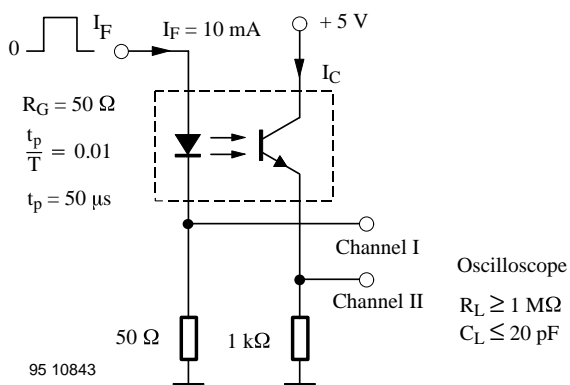
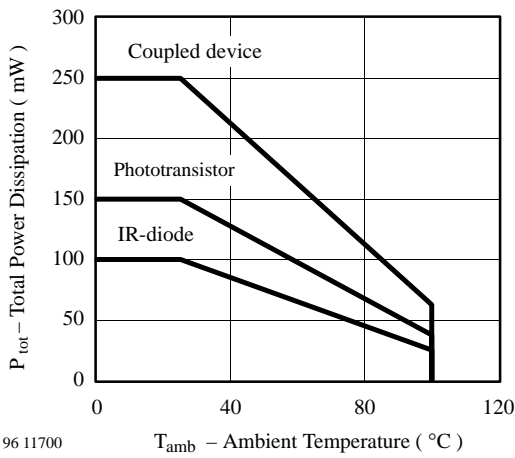


Figure 2. Test circuit, saturated operation

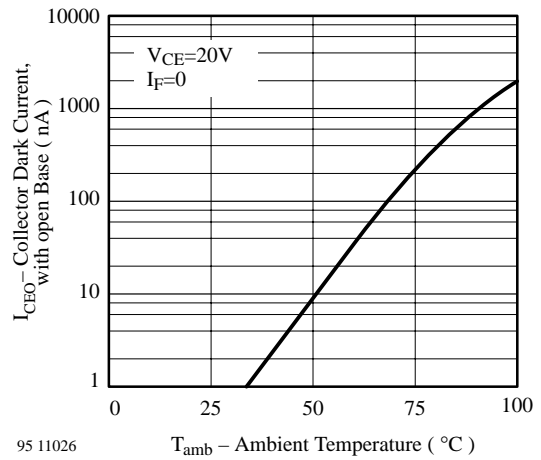


Typical Characteristics ($T_{amb} = 25^{\circ}C$, unless otherwise specified)



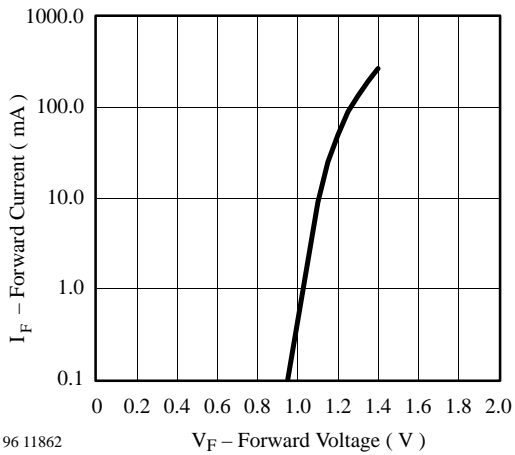
96 11700

Figure 4. Total Power Dissipation vs. Ambient Temperature



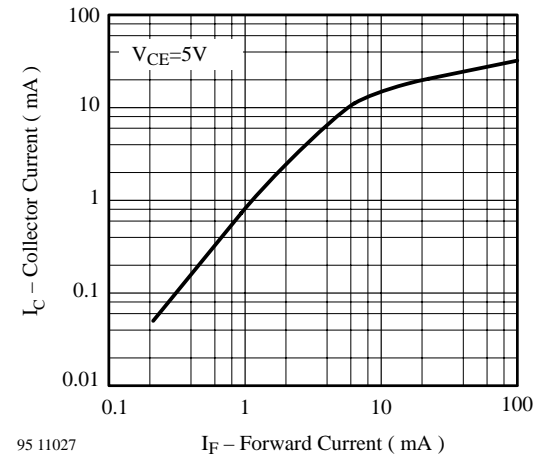
95 11026

Figure 7. Collector Dark Current vs. Ambient Temperature



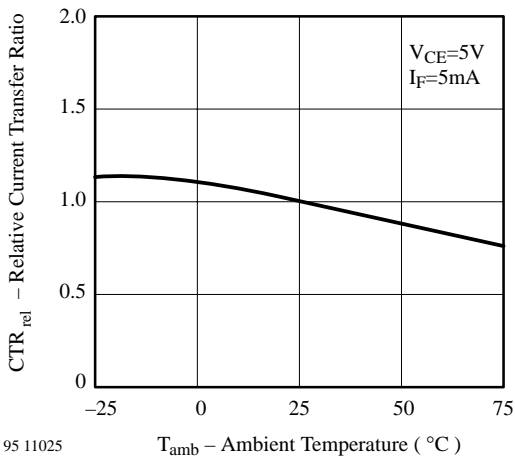
96 11862

Figure 5. Forward Current vs. Forward Voltage



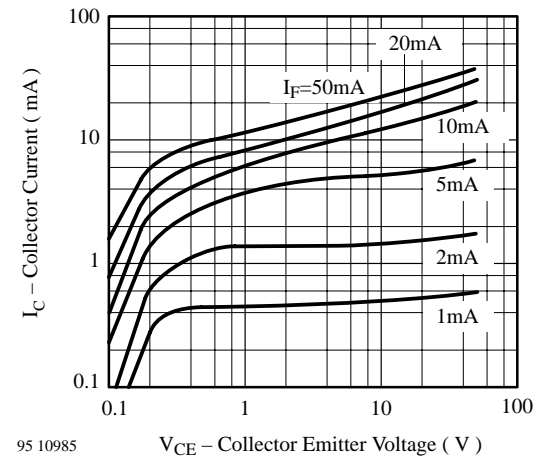
95 11027

Figure 8. Collector Current vs. Forward Current



95 11025

Figure 6. Relative Current Transfer Ratio vs. Ambient Temperature



95 10985

Figure 9. Collector Current vs. Collector Emitter Voltage

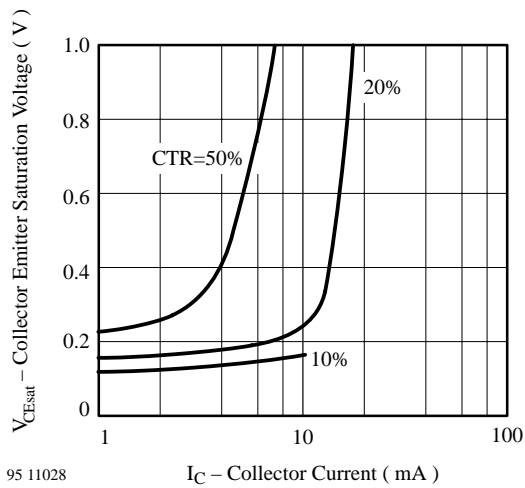


Figure 10. Collector Emitter Saturation Voltage vs. Collector Current

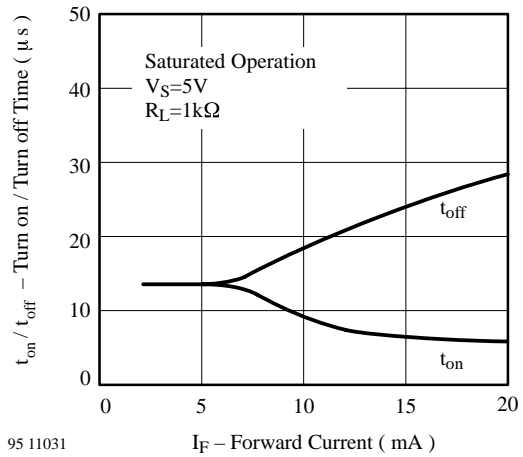


Figure 12. Turn on / off Time vs. Forward Current

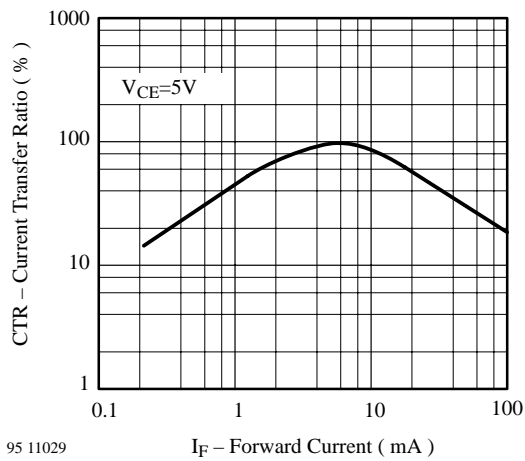


Figure 11. Current Transfer Ratio vs. Forward Current

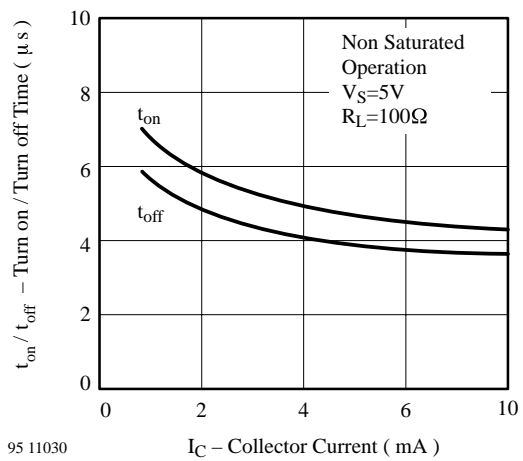
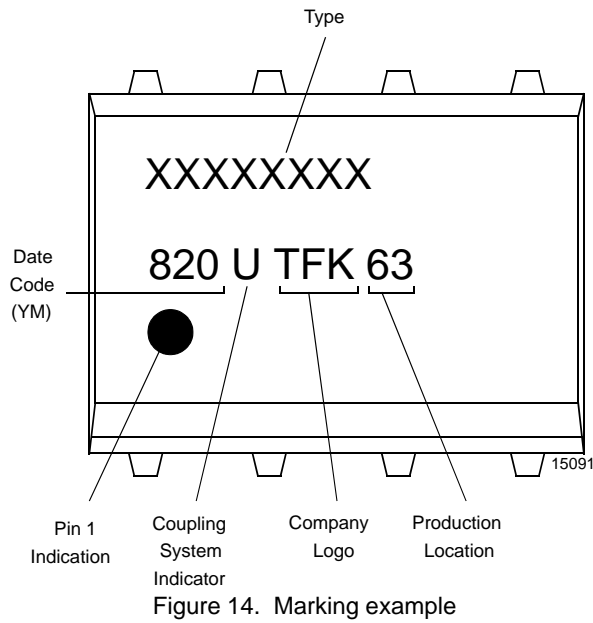
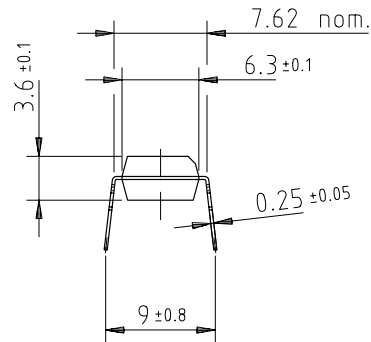
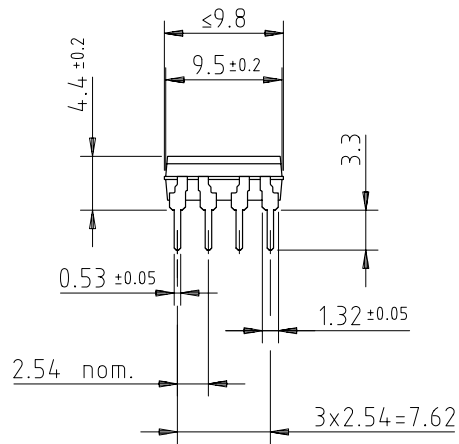


Figure 13. Turn on / off Time vs. Collector Current

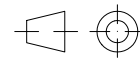
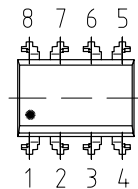


Dimensions of CNY74-2 in mm



weight: ca. 0.55 g
 creepage distance: ≥ 6 mm
 air path: ≥ 6 mm

after mounting on PC board



technical drawings
 according to DIN
 specifications

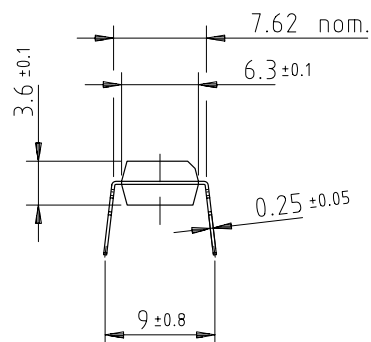
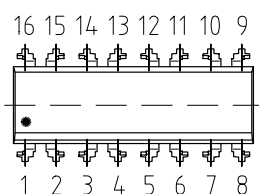
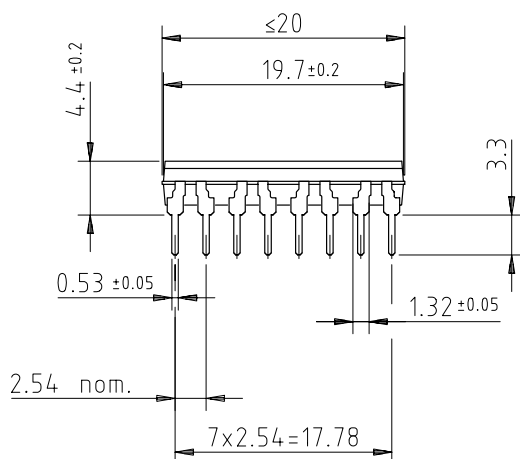
14784

CNY74-2H/ CNY74-4H

Vishay Telefunken

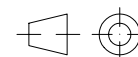


Dimensions of CNY74-4 in mm



weight: ca. 1.0 g
creepage distance: $\cong 6$ mm
air path: $\cong 6$ mm

after mounting on PC board



technical drawings
according to DIN
specifications

14783



Ozone Depleting Substances Policy Statement

It is the policy of **Vishay Semiconductor GmbH** to

1. Meet all present and future national and international statutory requirements.
2. Regularly and continuously improve the performance of our products, processes, distribution and operating systems with respect to their impact on the health and safety of our employees and the public, as well as their impact on the environment.

It is particular concern to control or eliminate releases of those substances into the atmosphere which are known as ozone depleting substances (ODSs).

The Montreal Protocol (1987) and its London Amendments (1990) intend to severely restrict the use of ODSs and forbid their use within the next ten years. Various national and international initiatives are pressing for an earlier ban on these substances.

Vishay Semiconductor GmbH has been able to use its policy of continuous improvements to eliminate the use of ODSs listed in the following documents.

1. Annex A, B and list of transitional substances of the Montreal Protocol and the London Amendments respectively
2. Class I and II ozone depleting substances in the Clean Air Act Amendments of 1990 by the Environmental Protection Agency (EPA) in the USA
3. Council Decision 88/540/EEC and 91/690/EEC Annex A, B and C (transitional substances) respectively.

Vishay Semiconductor GmbH can certify that our semiconductors are not manufactured with ozone depleting substances and do not contain such substances.

We reserve the right to make changes to improve technical design and may do so without further notice.

Parameters can vary in different applications. All operating parameters must be validated for each customer application by the customer. Should the buyer use Vishay Telefunken products for any unintended or unauthorized application, the buyer shall indemnify Vishay Telefunken against all claims, costs, damages, and expenses, arising out of, directly or indirectly, any claim of personal damage, injury or death associated with such unintended or unauthorized use.

Vishay Semiconductor GmbH, P.O.B. 3535, D-74025 Heilbronn, Germany
Telephone: 49 (0)7131 67 2831, Fax number: 49 (0)7131 67 2423