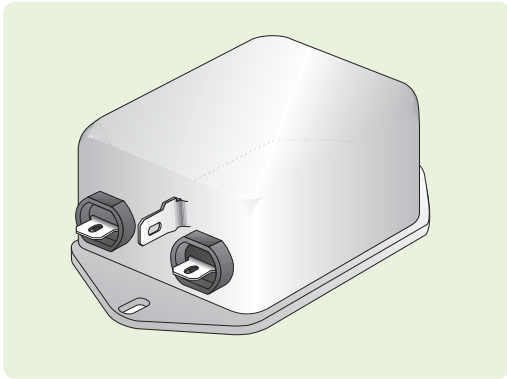


## SCHAFFNER type FN2010 (single phase, one stage)

A series of chassis mounting mains filters, designed for general purpose applications, and available in a variety of current rating from 1A to 20A. Fitted with a bleed resistor to discharge residual energy when pins are exposed. Housed in an all metal case, terminations are by 6.35mm (0.25in) fast-on tabs at each end of the body.



- ◆ Chassis mounting mains filters
- ◆ Current ratings from 1A to 20A
- ◆ Suitable for general purpose filtering
- ◆ Fitted bleed resistor
- ◆ Fast-on tabs terminations



### Specification

|                                   |                |
|-----------------------------------|----------------|
| Voltage rating .....              | 250Vac         |
| Line frequency .....              | 50/60Hz        |
| Max. leakage .....                | 0.4mA/phase    |
| Hipot test (1 min.)               |                |
| LN to E .....                     | 2000Vac        |
| L to N .....                      | 1700Vdc        |
| Capacitance                       |                |
| Cx .....                          | 0.1µF(X)       |
| Cy .....                          | 4700pF(Y) x 2  |
| Inductance                        |                |
| L .....                           | as listed      |
| Resistance                        |                |
| R .....                           | 1MΩ            |
| Weight .....                      | as listed      |
| Operating temperature range ..... | -25°C to +85°C |

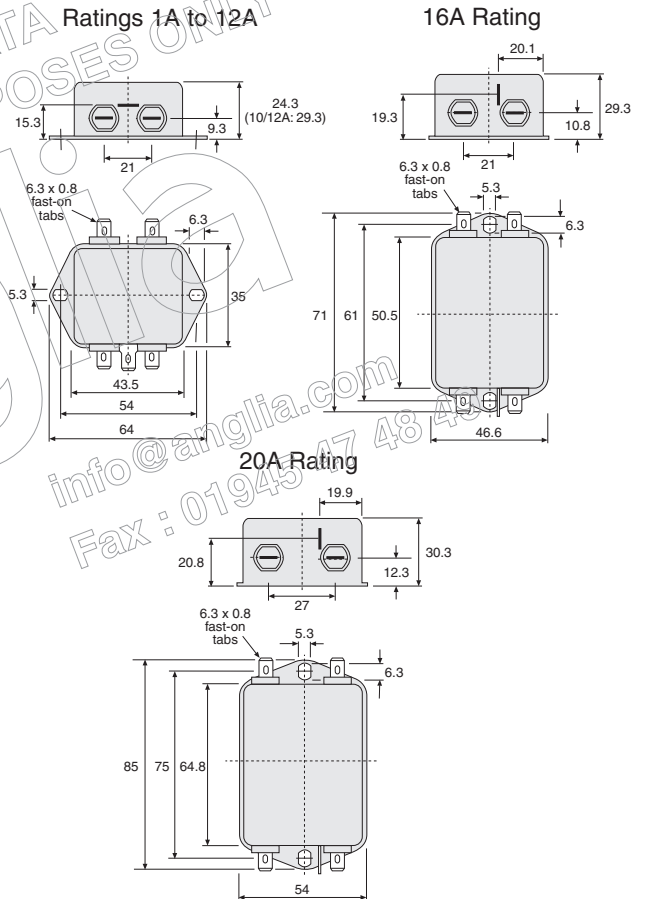
| Current Rating<br>(Aac) at 40°C | Inductance (mH) |  | Weight<br>(g) | Manf. Part No. &<br>Anglia Order Code |
|---------------------------------|-----------------|--|---------------|---------------------------------------|
|                                 | L               |  |               |                                       |
| <b>FN2010</b>                   |                 |  |               |                                       |
| 1                               | 12              |  | 65            | FN2010-1/06                           |
| 3                               | 2.5             |  | 65            | FN2010-3/06                           |
| 6                               | 1               |  | 65            | FN2010-6/06                           |
| 10                              | 0.8             |  | 85            | FN2010-10/06                          |
| 12                              | 0.7             |  | 85            | FN2010-12/06                          |
| 16                              | 0.65            |  | 140           | FN2010-16/06                          |
| 20                              | 0.6             |  | 210           | FN2010-20/06                          |

### ||| SCHÄFFNER FACTORY OPTIONS

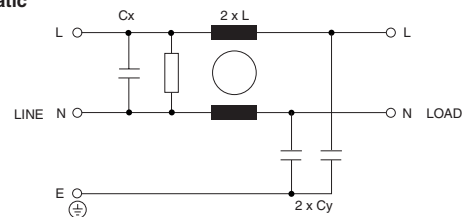
- Without Y capacitors, for medical applications
- Lower capacitance safety types
- Wire leads in place of fast-on tabs

Please contact our Sales Desk for details.

### Dimensions (mm)



### Schematic

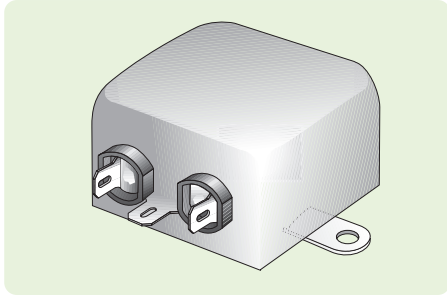


A RANGE OF PUSH-ON CRIMP TERMINALS IS SHOWN IN THE CONNECTORS SECTION



### H&L type SS4 (single phase, one stage)

A series of economical chassis mounting mains filters, designed for general purpose applications, and available in a variety of current ratings from 1A to 20A. Housed in an all metal case, terminations are by 6.35mm (0.25in) fast-on tabs at each end of the body.



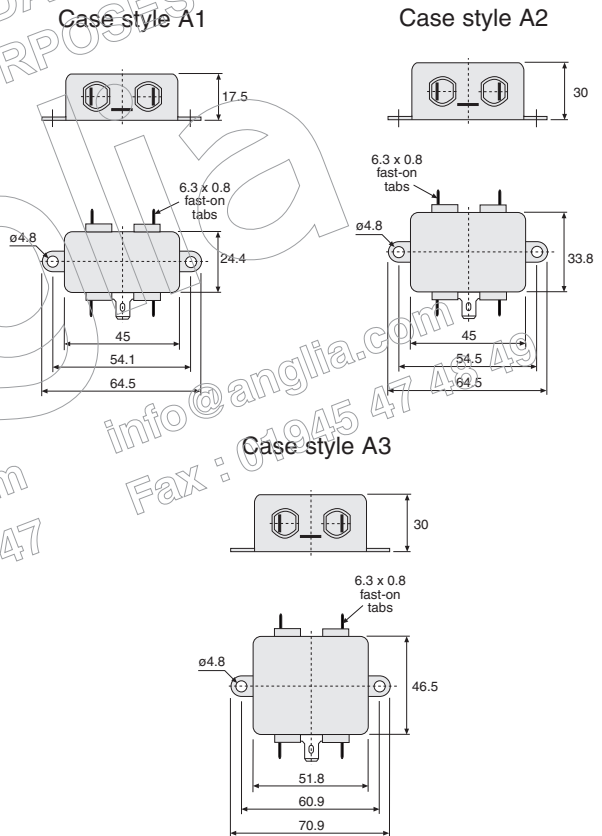
- ◆ Chassis mounting mains filters
- ◆ Current ratings from 1A to 20A
- ◆ Suitable for general purpose filtering
- ◆ Fast-on tab terminations
- ◆ Very cost effective



**Specification**

|                                   |                            |
|-----------------------------------|----------------------------|
| Voltage rating .....              | 250Vac                     |
| Line frequency .....              | 50/60Hz                    |
| Max. leakage .....                | 0.2mA/phase at 250Vac 50Hz |
| Hipot test (1 min.) .....         | 2250Vdc (LN to E)          |
|                                   | 1450Vdc (L to N)           |
| Capacitance (Cx) .....            | 0.033µF(X)                 |
| (Cy) .....                        | 2200pF(Y) x 2              |
| Inductance (L) .....              | as listed (x 2)            |
| Operating temperature range ..... | -25°C to +85°C             |

**Dimensions (mm)**



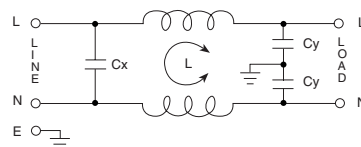
| Current Rating (Aac) | Inductance (mH) L | Case Style | Manf. Part No. & Anglia Order Code |
|----------------------|-------------------|------------|------------------------------------|
| 1                    | 10                | A1         | 01SS4-1AA1-Q                       |
| 3                    | 1.2               | A1         | 03SS4-1AA1-Q                       |
| 6                    | 0.8               | A1         | 06SS4-1AA1-Q                       |
| 10                   | 1.0               | A2         | 10SS4-1AA2-Q                       |
| 20                   | 0.7               | A3         | 20SS4-1AA3-Q                       |

**FACTORY OPTIONS**

- Fitted bleed resistor, for discharging residual energy when terminals are exposed
- Fitted bleed resistor but without Y capacitors, for medical applications
- Two stage filter & alternative filter configurations
- Screw terminals

Please contact our Sales Desk for details.

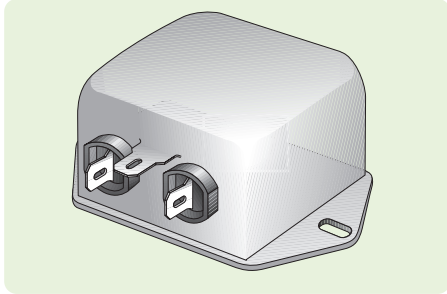
**Schematic**



A RANGE OF PUSH-ON CRIMP TERMINALS IS SHOWN IN THE CONNECTORS SECTION

### SCHAFFNER type FN610 (single phase, one stage)

A series of chassis mounting mains filters, designed for general purpose applications, and available in a variety of current ratings from 1A to 20A. Housed in an all metal case, terminations are by 6.35mm (0.25in) fast-on tabs at each end of the body.



- ◆ Chassis mounting mains filters
- ◆ Current ratings from 1A to 20A
- ◆ Suitable for general purpose filtering
- ◆ Fast-on tab terminations



#### Specification

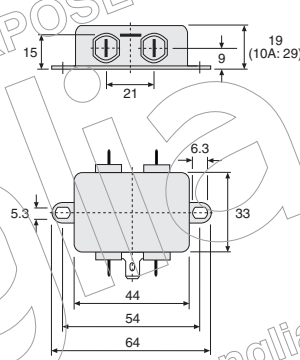
|                                   |                |
|-----------------------------------|----------------|
| Voltage rating .....              | 250Vac         |
| Line frequency .....              | 50/60Hz        |
| Max. leakage .....                | 0.19mA/phase   |
| Hipot test (1 min.)               |                |
| LN to E .....                     | 2000Vac        |
| L to N .....                      | 1700Vdc        |
| Capacitance                       |                |
| Cx .....                          | 0.033µF(X)     |
| Cy .....                          | 2200pF(Y) x 2  |
| Inductance                        |                |
| L .....                           | as listed      |
| Weight .....                      | as listed      |
| Operating temperature range ..... | -25°C to +85°C |

| Current Rating<br>(Aac) at 40°C | Inductance (mH)<br>L | Weight<br>(g) |
|---------------------------------|----------------------|---------------|
| <b>FN610</b>                    |                      |               |
| 1                               | 3                    | 55            |
| 3                               | 2                    | 60            |
| 6                               | 0.75                 | 60            |
| 10                              | 0.45                 | 85            |
| 20                              | 0.48                 | 220           |

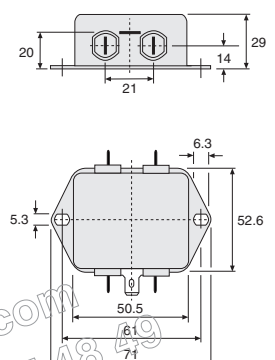
| Manf. Part No. &<br>Anglia Order Code |
|---------------------------------------|
| FN610-1/06                            |
| FN610-3/06                            |
| FN610-6/06                            |
| FN610-10/06                           |
| FN610-20/06                           |

#### Dimensions (mm)

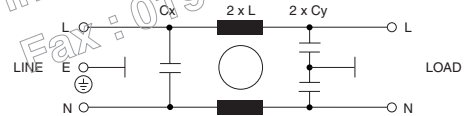
##### Ratings 1A to 10A



##### 20A Rating



#### Schematic



#### SCHAFFNER FACTORY OPTIONS

- Fitted bleed resistor, for discharging residual energy when terminals are exposed
- Fitted bleed resistor but without Y capacitors, for medical applications
- Wire leads in place of fast-on tabs

Please contact our Sales Desk for details.

#### SCHAFFNER

For the very latest information and news on the full range of SCHAFFNER products available from Anglia, visit our website :

[www.anglia.com/schaffner](http://www.anglia.com/schaffner)

Alternatively, contact our Sales Desk to discuss your specific requirements.

#### FN612

A similar series to FN610 but with fitted bleed resistor, and offering a good differential mode attenuation, is available to special order. Please contact our Sales Desk for details.

A RANGE OF PUSH-ON CRIMP TERMINALS IS SHOWN IN THE CONNECTORS SECTION