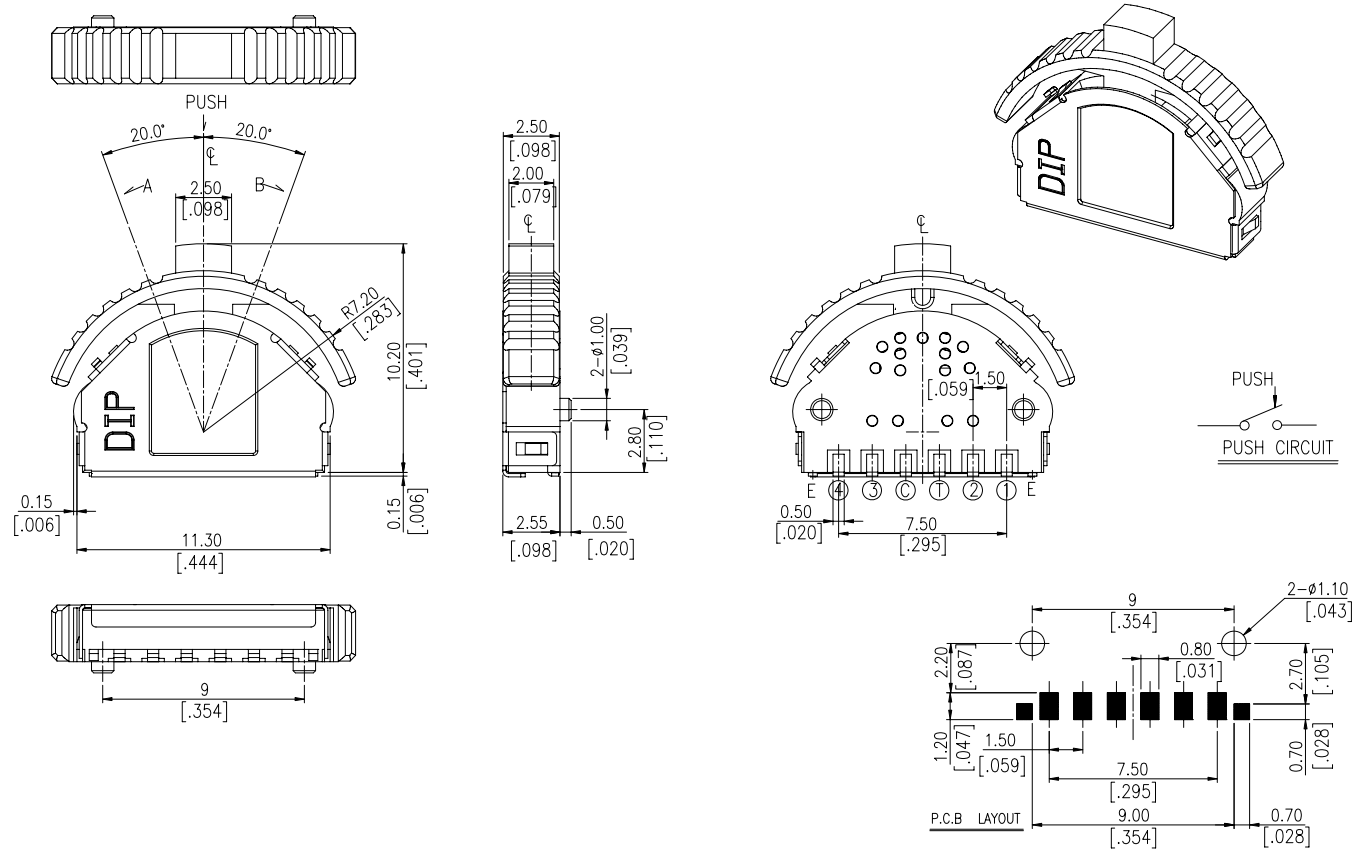


PUSH & LEVER SERIES

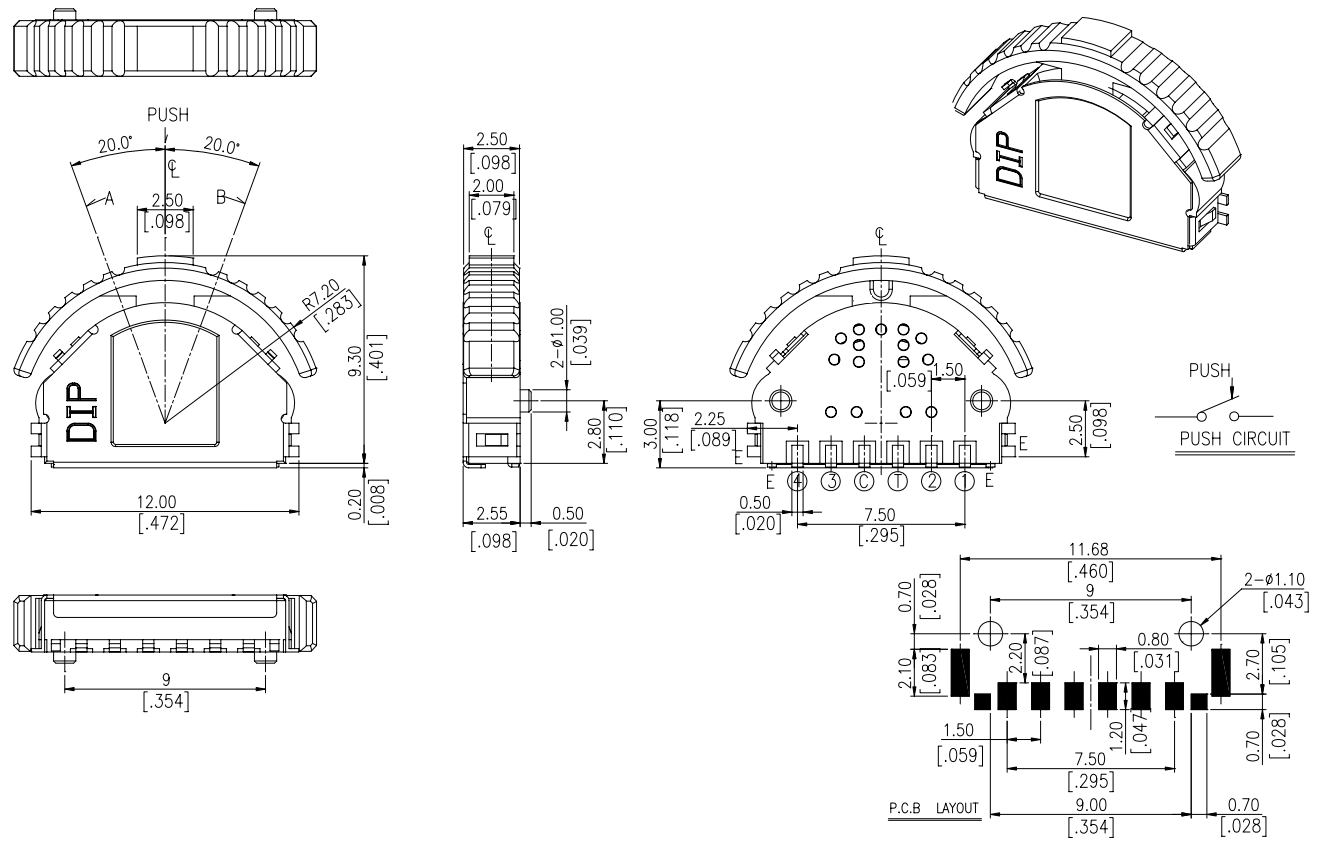
DIMENSIONS

PLJH



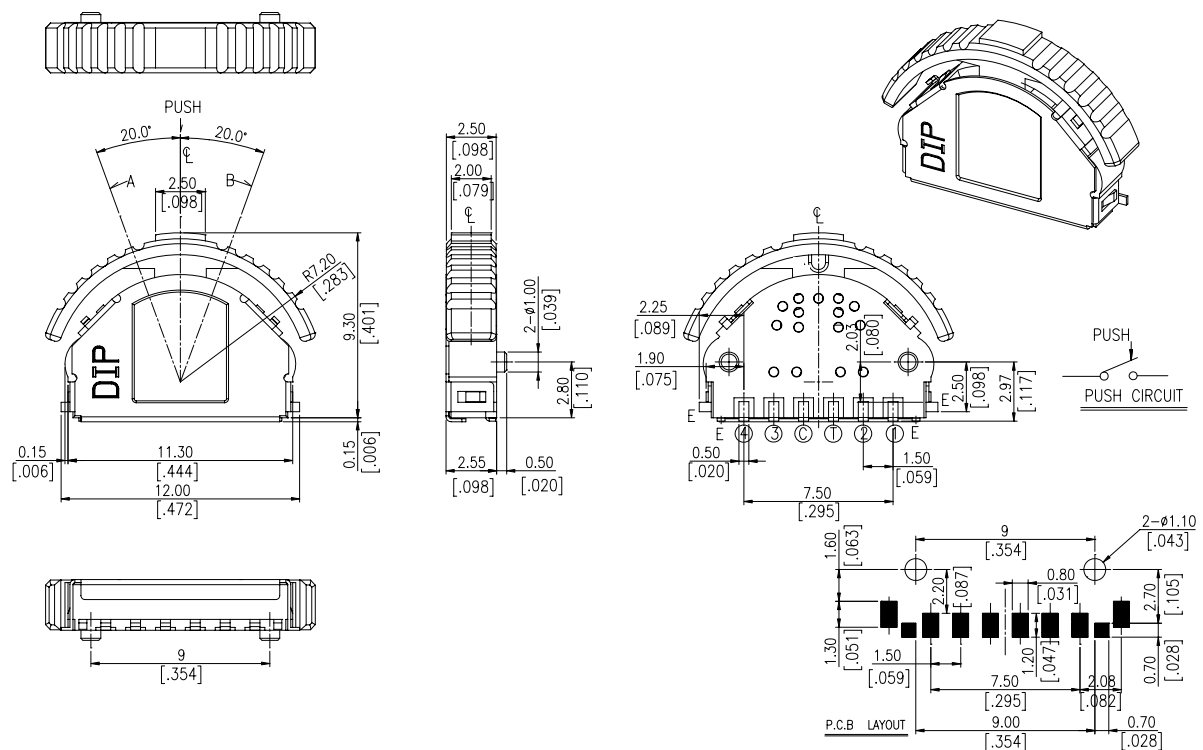
General Tolerance : $\pm 0.20\text{mm}$

PLJG1



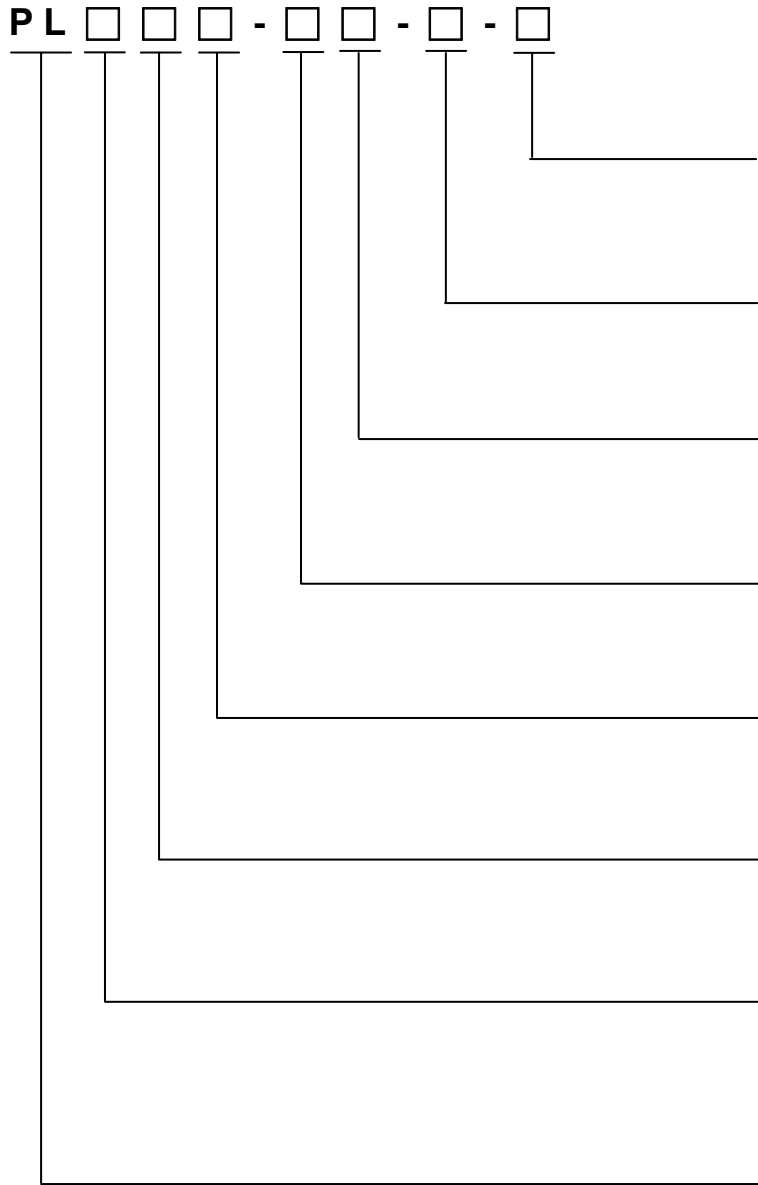
General Tolerance : $\pm 0.20\text{mm}$

PLJG



General Tolerance : $\pm 0.20\text{mm}$

HOW TO ORDER



Package Style :
 = Tape & Reel

Soldering :
V = Lead Free Solderable

H = High Actuator
 = Standard

G = Gray
K = Black

= Two Ground Pins
1 = Four Ground Pins

G = Ground Terminal
 = Without Ground Terminals

Termination Type :
J = S.M.T J BEND Terminals

Push & Lever Switch

ANGLE	A		B	
	20°	(16°)	(8°)	(16°)
TERMINAL NO.				
①	[Hatched]			
②	[Hatched]			
③				[Hatched]
④				[Hatched]
Ⓢ	[Hatched]			

* E : ERTHING TERMINAL
 * ■ : ON POSITION

CIRCUIT DIAGRAM

SPECIFICATION

△ MECHANICAL

Mechanical Life: 100,000 operation cycles
Operation Force: (A) Force on return actuator
 (A) 40 ±20gf.
 (B) Force on center push direction
 (B) 150±50gf.

Operation Temp: -10°C to +70°C
Storage Temperature: -25°C to +80°C

△ ELECTRICAL

Electrical Life: 100,000 operation cycles
Non-switching Rating: 100mA, 50VDC
Switching Rating: 10mA, 5VDC
Contact resistance: (a) 100mΩ max. at initial
 (b) 200mΩ max. after life test
Insulation Resistance: 100MΩ min. 100VDC
Dielectric Strength: 100VAC/ minute
Capacitance : 5pF max.
Circuit: Single pole single throw.

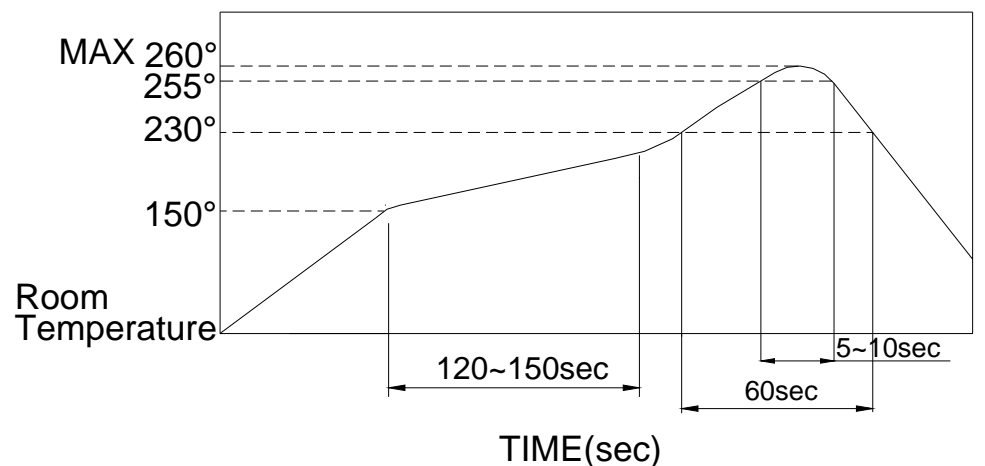
MATERIAL

△ **COVER: Stainless Steel**
 △ **BASE: UL94V-0 PPS Thermoplastic**
Color: Brown
 △ **STEM: UL94HB Nylon Thermoplastic**
Color: Gray, Black
 △ **CONTACT DISC: Phosphor bronze with silver cladding**
at contact surface
 △ **TERMINAL: Phosphor bronze with silver cladding**
at contact surface
 △ **SPRING: SWP or SUS**

SOLDERING PROCESSES

For best results, please follow these recommendations: △ **Temperature Profile:**

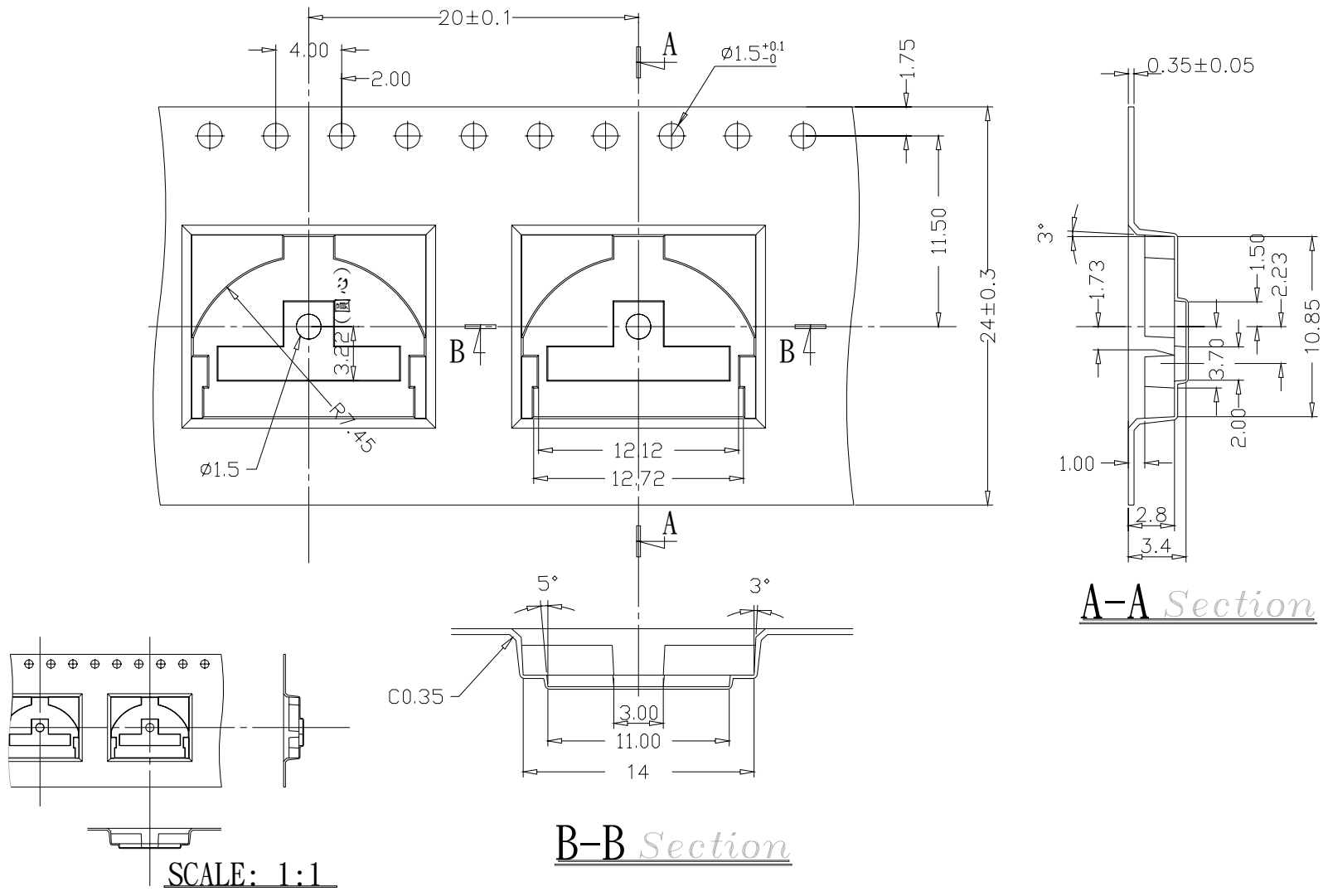
△ **HAND SOLDERING :** Use a soldering iron of 30 watts,
 Controlled at 350°C approximately 5 seconds while
 Applying solder.
 △ **REFLOW SOLDERING:** When applying reflow
 soldering the peak temperature of the reflow oven
 should be set to 260°C max.



PACKING

PLJ-□H REEL

Part Number	Number Per Tube	Number Per Reel
PLJ	-	1000



General Tolerance : ± 0.1 mm